

Although the ARSENAL DVR is relatively easy to install, we highly recommend a professional and competent upfitter to install the system. Please carefully read and fully understand the instructions before install or use.

Install Instructions for the ARSENAL DVR



Thank you for choosing our ARSENAL In-Car Video System.

This will manual will be updated with further instructions as needed.

Statement

This instruction manual is designed for the ARSENAL IN Car Video System and related products. Information contained herein may not be 100% accurate as we make design changes to best serve our customers and keep up with the most current technology available. If any discrepancies are found and you have questions, please do not hesitate to contact us for clarification or to answer any questions you may have.

1. Install Environment

- To maximize service life, Try to mount in a low vibration location (shock mounting is NOT necessary)
- Try to mount in a ventilated area. We recommend in or around the center console
- Keep 4" away from other electronics if possible to minimize interference
- The DVR door is weather sealed, however do not mount DVR in locations with water or high humidity
- To ensure safe operation, route all cables internally in vehicle, keep out of reach of passengers
-

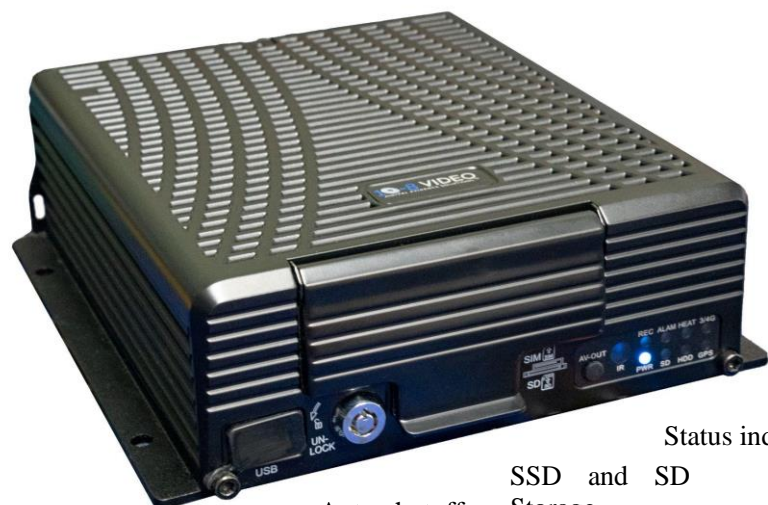
TO BE CONTINUED...

PLEASE WAIT FOR ALL LIGHTS (EXCEPT THE BLUE POWER LIGHT) TO GO OFF BEFORE REMOVING THE SD CARD OR THE SSD DRIVE AS THIS WILL CORRUPT THE FILES ON THE CARD. THIS IS THE SAME AS REMOVING A FLASH DRIVE FROM A COMPUTER WHILE IT IS WRITING FILES.

1. Product Overview

- ▶ Supports H.265/H.264 image compression encoding
- ▶ Support 4 channels 1080P/960P/720P AHD analog audio and video
- ▶ External MIC, speaker, volume adjustment
- ▶ Built in WiFi offload capability
- ▶ Power-off protection technology, The system has internal battery backup to finish closing out active video files.
- ▶ Built-in 2.5" SSD, max. 2TB SSD supported, shock mounted, constant record ability
- ▶ SD card for triggered events
- ▶ 1 VGA and 1 4-pin video output
- ▶ Front 1 USB, the front is used for firmware upgrade and video file download
- ▶ 1 RS485/RS232 interface
- ▶ Support 5 alarm inputs, 1 alarm outputs
- ▶ Built-in 6-axis acceleration sensor (G-Senor)
- ▶ 8V-36V wide voltage DC supply
- ▶ SSD heating supported, operating temperature range -40°C + 80°C

2. Introduction to DVR

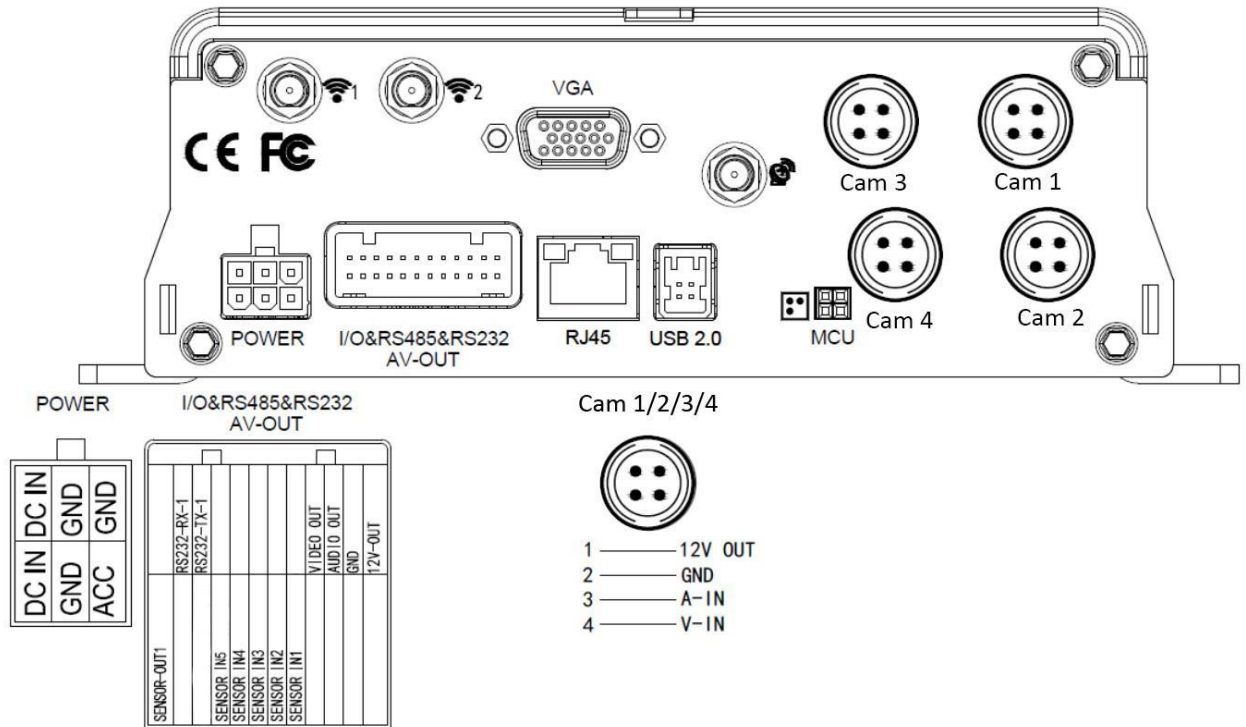


Front USB port

Auto-shutoff
keyed lock
(ASKL)

Status indicator
SSD and SD
Storage

ARSENAL DVR Interface Diagram:



3.Introduction to Main Keys of Your Remote Control

MENU	When the recorder is set with a password, press the Menu key to input your password.
INFO key	Check current DVR information

Quad View Key	On the monitor, used to switch between quad view and single view; press the Quad View key to display up to 4 screens.
Number Keys 1, 2, 3, 4	You can press number 1/2/3/4 to display Cam 1, Cam 2, Cam 3 and Cam 4 displays respectively.
RETRN	Return to the previous menu, and finally exit from the setup menu to the monitoring interface
PLAY	Press this key to start playback (search the video file to be played and select, then press the Enter key to play it). This key is also used to select files for USB offload
F1	Live readout of cameras, triggers and alarms

Device and Installation

1. Installation

1.1: Open the protective cover

Turn the lock located on the front panel counter-clockwise to unlock it and open the protective cover.



Open the protective cover

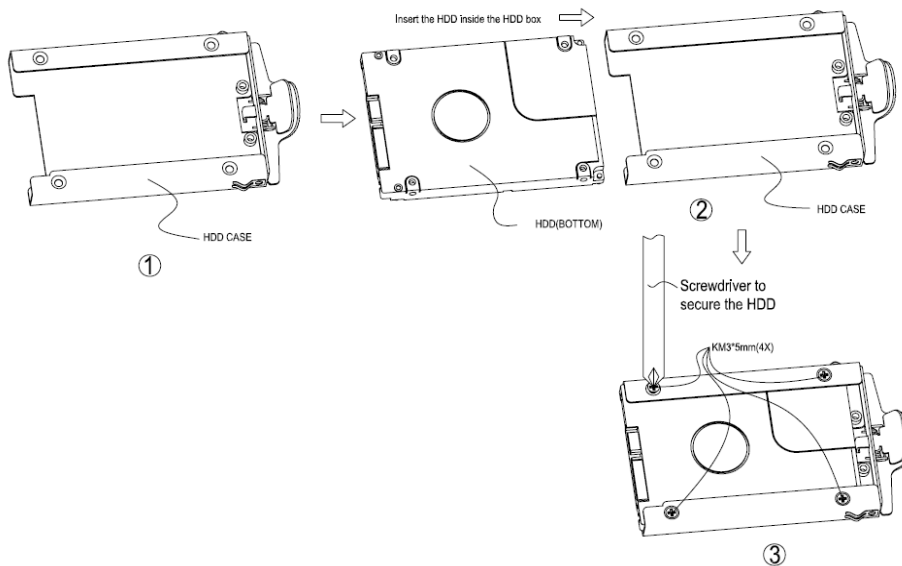


As indicated on the panel, turn the electric lock anti-clockwise to unlock it and open the protective cover

1.2: Prepare the SSD if included

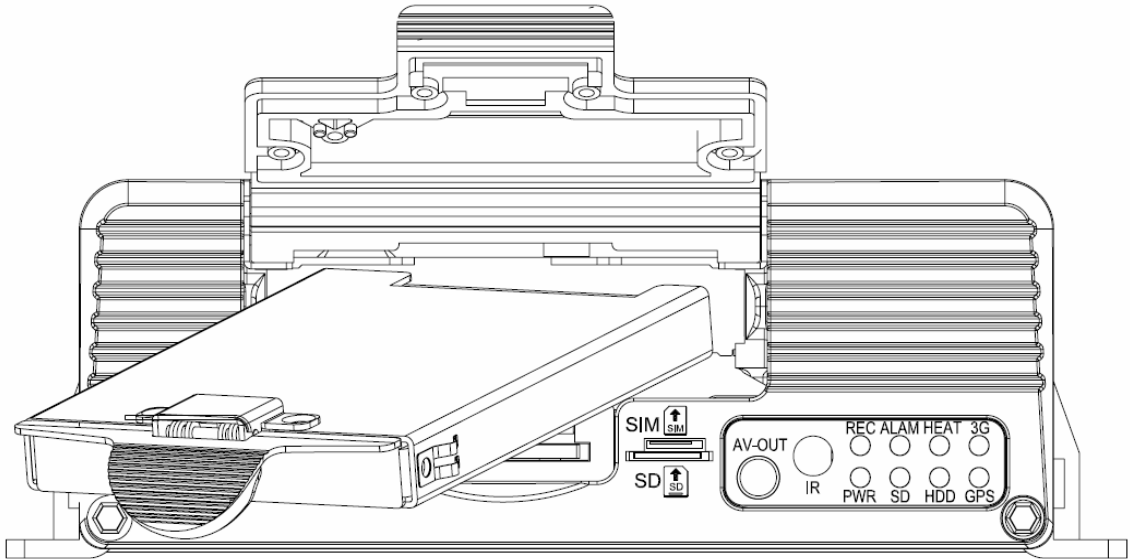
Take the tray out of the MDVR by holding the tray handle and then release the latch under the handle:

Insert the prepared SSD into the SSD box and attach it with 4 screws. **SSD MUST be formatted before installation in DVR.**



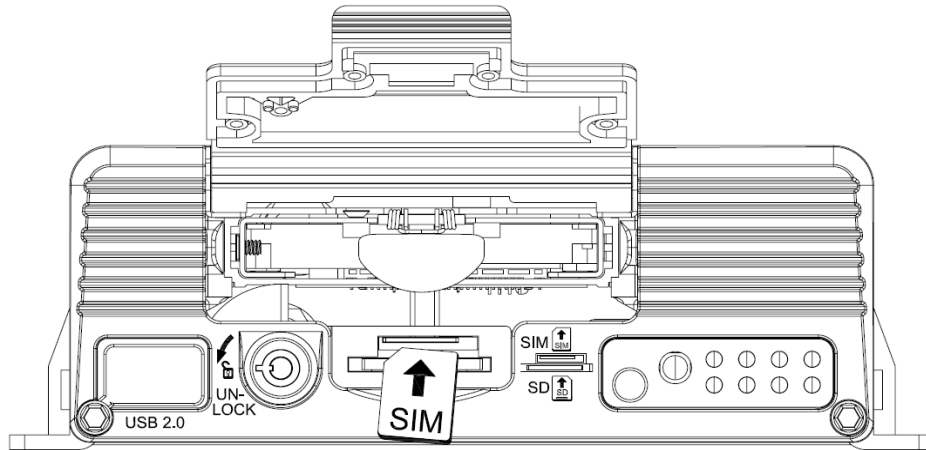
Attach it with 4 screws
 Insert 2.5" SSD into its tray
 1.3: Insert the SSD

Slowly insert the SSD by aligning with the SSD tray until you hear a "click" sound.



1.4: Install SD cards

As indicated on the panel, install the SD card into its respective place.



1.5: Lock the ASKL

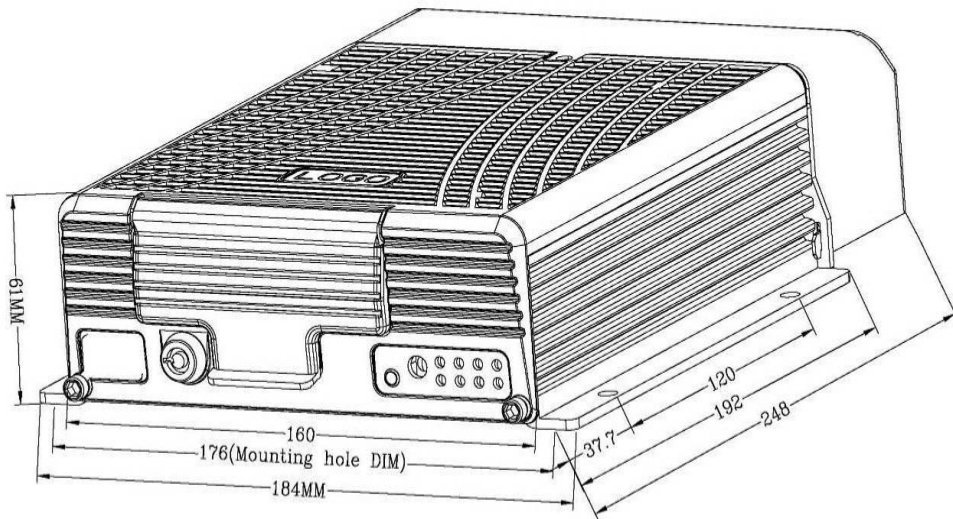
After all units are installed, close the protective cover, and then turn the ASKL clockwise to lock it; otherwise, the DVR will not be powered on.

PLEASE WAIT FOR ALL LIGHTS (EXCEPT THE BLUE POWER LIGHT) TO GO OFF BEFORE REMOVING THE SD CARD OR THE SSD DRIVE AS THIS WILL CORRUPT THE FILES ON THE CARD. THIS IS THE SAME AS REMOVING A FLASH DRIVE FROM A COMPUTER WHILE IT IS WRITING FILES.



1. 6: Install the DVR

According to indicated MDVR mounting hole size, install the device in a proper place of the vehicle.



1. 7: Install GPS and WiFi antennas

As shown in the following figure, connect GPS and WiFi antennas to corresponding SMA connectors on the rear panel of the DVR and keep wires well arranged to protect the signal from external interference.



GPS



WIFI x2

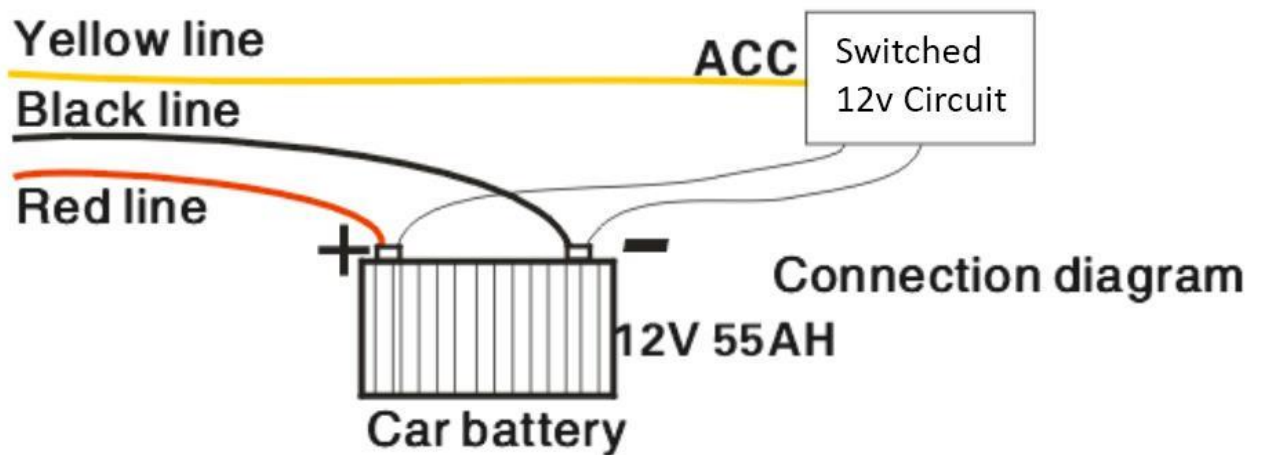
1. 8: Connect the power cord

Connect the power cord to the 6PIN power input interface on the rear panel of the DVR, while the red and black cables are directly connected to the battery of the vehicle, i.e. positive terminal and negative terminal respectively. The yellow cable is connected to ACC, a switched 12v power source. The unit will boot up and shut down automatically when the vehicle is running and turned off.


When the DVR is not installed in a vehicle or under test, you can use a switching power supply above DC12V-5A to supply the power.. In this case, twist the red and yellow cables together to connect it to the positive terminal, while the black one is connected to the negative terminal separately.



This terminal is connected to the power interface on the rear panel of the MDVR



Before connecting, check that the voltage ranges from 8V to 36V. If not, the device will not power on.



It is recommended that the DVR be directly powered from positive and negative terminals of the battery or fuse panel. The power cable used for positive and negative terminals should have a size of 14 AWG or above.

1. 9: Connect the display output unit

The Yellow 4-pin adapter on the White Sensor Harness is video output. Attach this to the long monitor cable that gets routed through the vehicle to connect the either (default) mirror monitor or 7 inch standalone monitor.



1.10: Alarm input and output cable

A: Sensor input alarm cable

Connect the Alarm harness to your necessary alarm inputs (page 3)

IO 1 - Lights

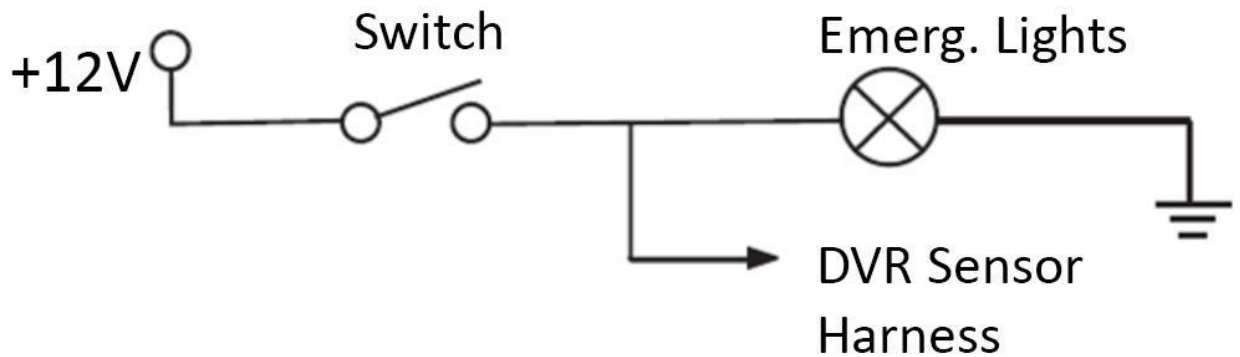
IO 2 - Manual Switch

IO 3 - Mic (pre-wired)

IO 4 - Gun Lock (optional)

IO 5 - Optional

For example: the following block diagram shows that high level is detected when the brake pad is stepped down; otherwise, low level will be detected. Thus, braking operation may trigger device alarm.



B: Over-speed alarm

a: Speed is acquired from GPS, requiring normal GPS signal, the alarm feature can be enabled by simply configuring settings via Setup menu -> Alarm -> Speed.

C: Alarm output cable

This is pre-wired to the mic harness cable, no action is needed.

For further installation help, please refer to the install and use videos on our website, located under SUPPORT – SELF HELP AND HOW-TO VIDEOS.

10-8 VIDEO

DIGITAL EVIDENCE SOLUTIONS

ARSENAL Wiring Diagram

